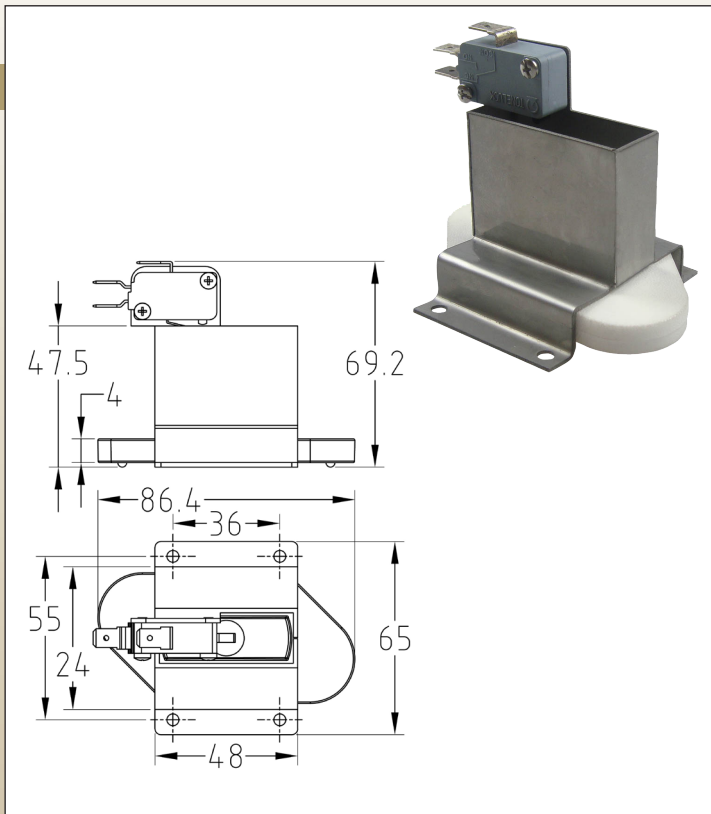


Bottom mounting, micro switch contact, EPS foam float, Appliances flooding detection

Type DW

DIMENSIONS



MAIN FEATURES

Use: 250 VAC circuits

Main applications: overflow, leaks or flooding detection on electrical appliances, washing machines, electrical equipment and cabinets protection

Float material: EPS foam

Frame material: stainless steel

Mounting: Mounting on the bottom side of the device. Detection will occur when the liquid level is greater than 8 mm. It is therefore necessary that this bottom is shaped in a bowl form admitting at least 8mm of water level before the water can flow out. The micro-switch must be protected against falling water and must stay away from water level

Contact configuration: SPDT snap action micro-switch

Rating: 1/4HP, 6(1) A 240V (UL, CSA VDE switch)

Contact resistance: 50mOhms maxi

Electrical connection: three 6.35 x 0.8 mm quick connect terminals (to be incorporated inside appropriate ingress protected equipment)

Liquid limits: to be used with clean liquids chemically compatible with polystyrene and stainless steel, specific gravity higher than 0.9, dynamic viscosity higher than 0.5×10^{-4} Pa.s and lower than 10^{-2} Pa.s.

Ambient temperature: 0+65°C

Maximum pressure: atmospheric

References

DWSM34253A1A6300

Because of permanent improvement of our products, drawings, descriptions, features used on these data sheets are for guidance only and can be modified without prior advice